



BAUMFOLDER

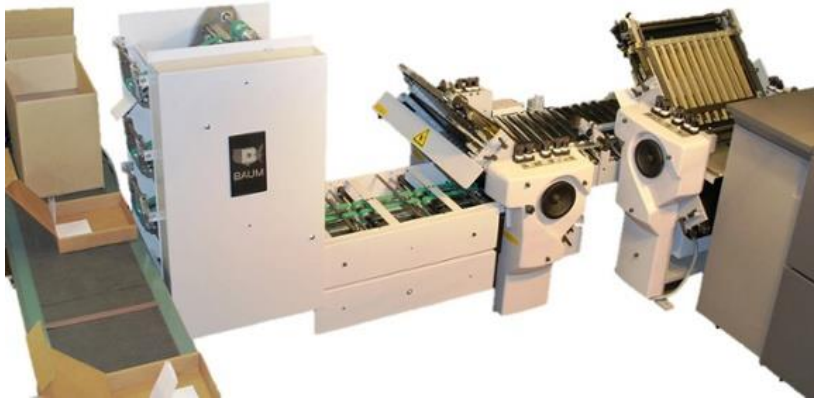
SOLUTIONS

Product Overview
Document Insertion Solutions

Building Precision Solutions

Baumfolder Century Series:

Document automation solutions are a great way to streamline and maximize document efficiencies.



AUTOMATED DOCUMENT INSERTION OF:

- **Invoices**
- **Packing list**
- **Personalized documentation**
- **Work Instructions**
- **Return forms**
- **Safety Data Sheets (SDS)**
- **Coupons**
- **Promotional Material**
- **Product information**

Your automation needs to work as hard as you do.

Automated high speed printing, folding and insertion or application can improve your order accuracy, productivity, and overall customer satisfaction.

Solutions that:

Require low maintenance

Handle multiple sheets and multiple carton sizes

Durable heavy duty commercial construction

Improve downtime

Maximize your CPM (cartons per minute)

Bar Code Verification

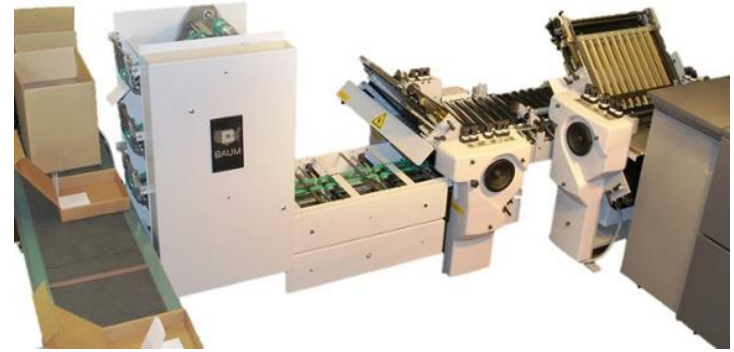
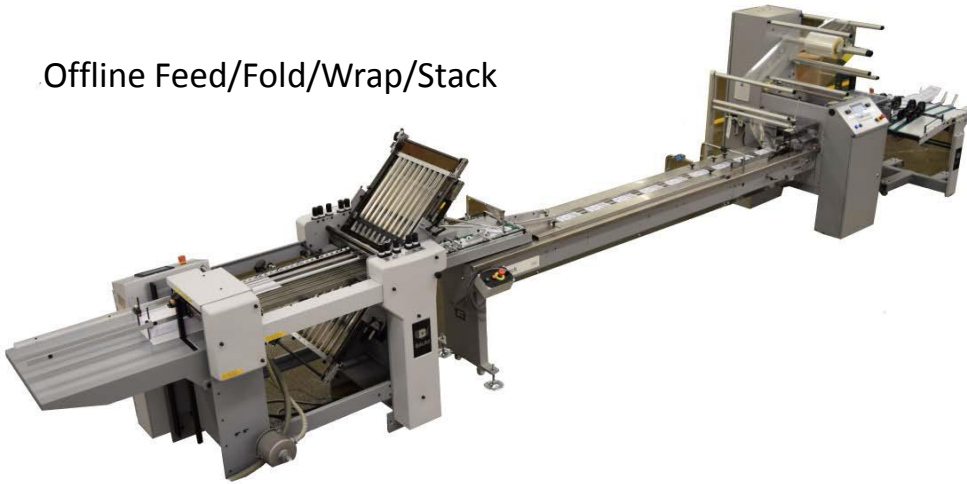
Baumfolder solutions can be completely trailered to your needs and your processes. Baumfolder utilizes over 100 years of proven technology in every design.

Never more than you need, never less than you expect!

***Rugged, Reliable, and
Made in the USA***

Document Insertion systems

Offline Feed/Fold/Wrap/Stack

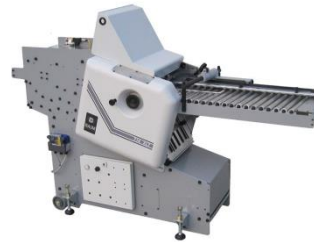


On-demand Custom Print/Gather/ Fold/
Timed insertion / with barcode verification



BAUMFOLDER
SOLUTIONS

15 to 20 plus per minute Box insertion solutions



High Volume Feeder

Key Modules and features

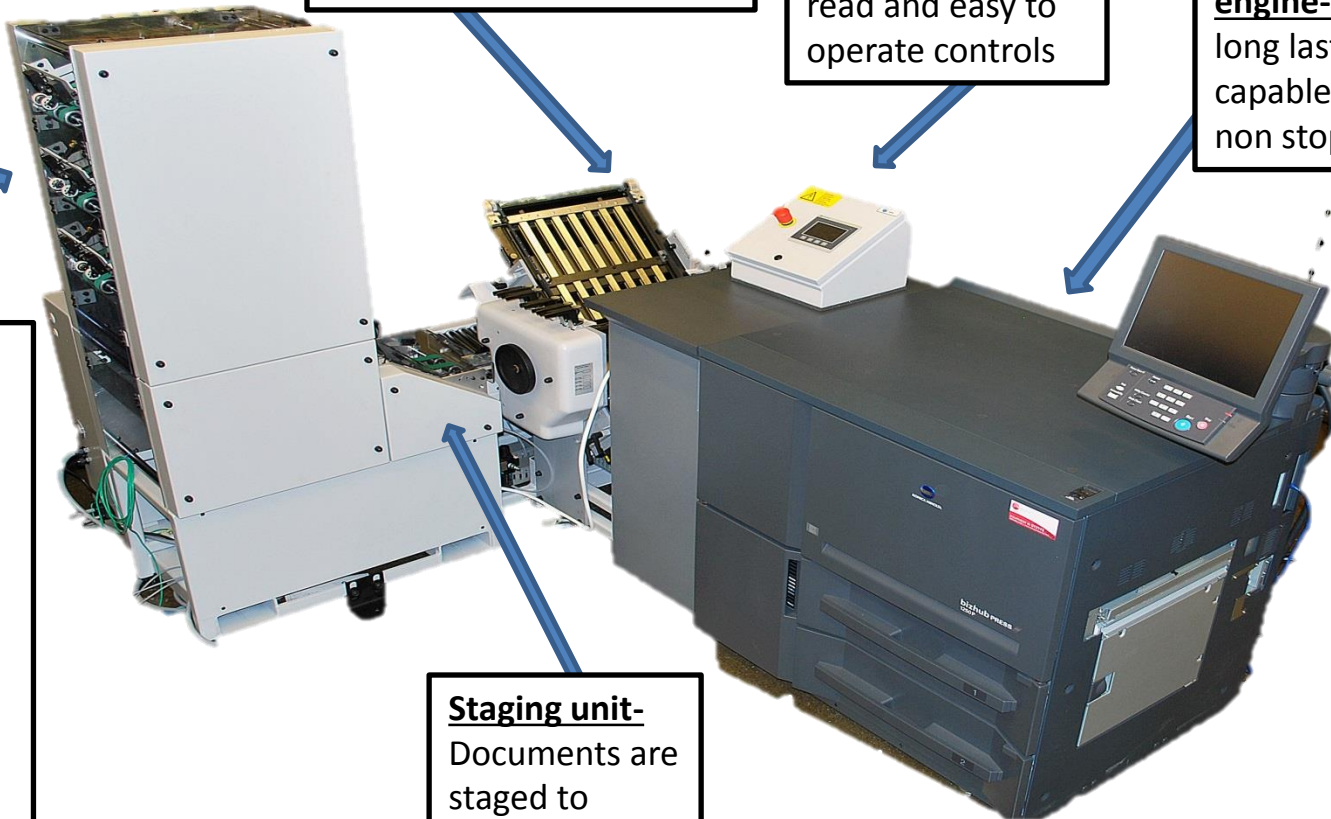
Folding station- Capable of fold documents to specification

Color touchscreen controls- Easy to read and easy to operate controls

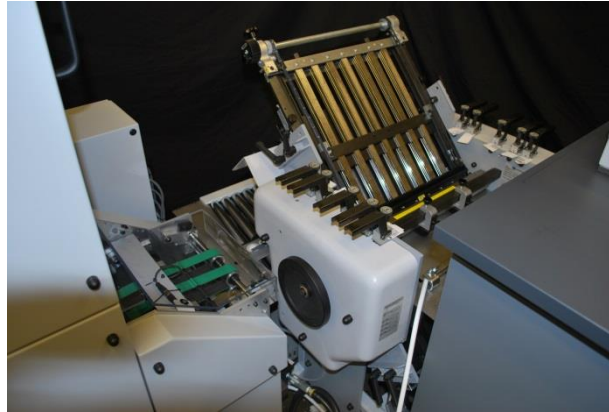
Industrial Print engine- High quality long lasting printer capable of running non stop

Multi level inserting station- Allows for Precisely inserted documents to handle a variety of box sizes- All on the same conveyor line

Staging unit- Documents are staged to ensure insertion timing



Document Insertion- Variable Data- Print, Fold, and Insert

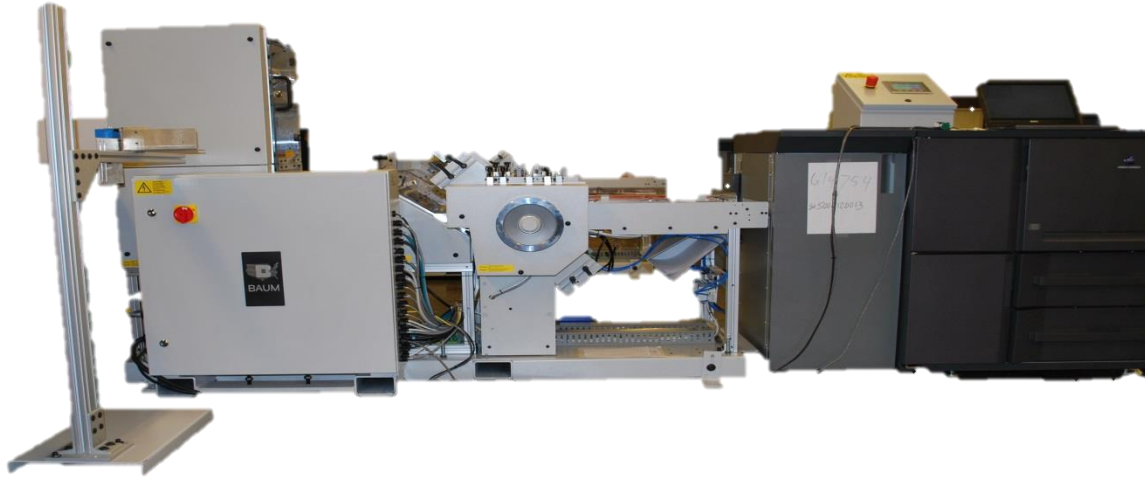


The solution starts with a commercial grade print engine. The Baumfolder system prints the customer's personal information on blank or pre-printed forms.

Then the document is sent to the fold station where document(s) (1 to 2 pages) are folded to the predetermined size and transferred on a (Right Angle conveyor), this right angle conveyor helps with limited floor space applications. Then scanners read the carton and the document to insure that the correct document is inserted into the correct box. Each system is designed to fit with multiple height conveyors and box variable sized boxes from 1" to 36". This solution can run at a rate of 15 - 18 per minute with box verification. Without verification speeds of up to 30 can be achieved.

<https://www.youtube.com/watch?v=HMkri-105jY>

Document solutions handling up to 6 pages



Baumfolder's document solutions can be configured to handle up to (6) six page documents per batch.

A bar code scanner reads a carton up stream from the Baumfolder solution. That read information is sent to the print engine where the personalized information is formatted and printed.

This solution can custom print any information that is loaded into the program. Customers order, address, billing information, invoice, product list, return label and form, marketing promotions etc... the files sent to the printer are formatted as a PDF document and can be modified in most cases in the warehouse management system.

Once printed all documents for an order are gathered until all pages are accounted for, then the gather sends the documents thru the fold stations where they are folded together to a predetermined size.

From the folding stations the documents are then sent into a series of staging units, these staging units help maintain timing, and allow for bar code verification.

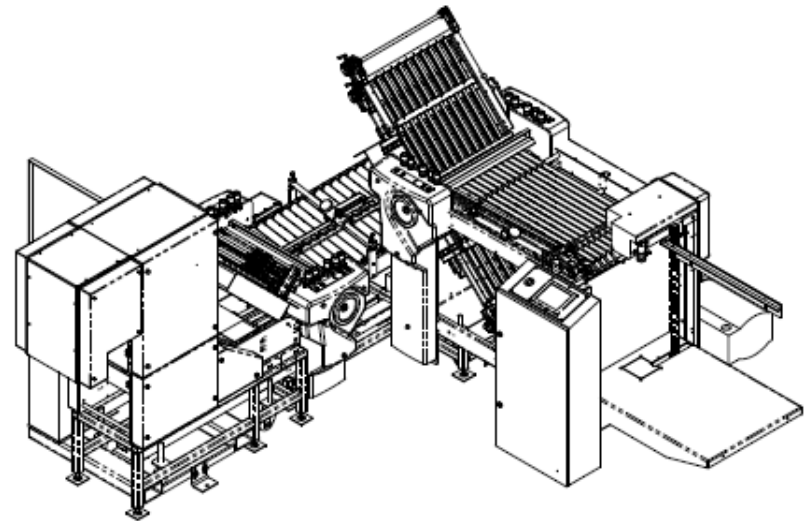
Bar code readers are mounted within the staging units. While a document is staged and waiting for carton insertion a bar code reader scans a bar code printed on the document and verifies that the correct set of documents are in place and that they match the box/carton coming down the line.

A sensor tower ahead of the inserter locates the box/carton height and signals the staging units to transfer the set of documents into the insert point that best fits the box/ carton height.

One last bar code scanner verifies the documents and box and if a match is made the document is inserted.

https://www.youtube.com/watch?v=gV3uMf_1MK8

Ecommerce Solutions - Bulk line - Pre-Printed inline or off line



Baumfolder provides offline solutions as well. These solutions are perfect for bulk document process.

Our document systems are engineered to accommodate preprinted material that can be loaded onto the Baum20 pile fed folder that feeds and fold up to 5000 sheets per run.

The fold stations will be specialty set to handle a predetermined fold.

The solution can then transfer the folded document into a variety of end of line applications including; wrappers, multi level inserter, or robotic.

We can insert into boxes, package and glue outside of box and much more...

<https://www.youtube.com/watch?v=BtOK5zTK4tw>

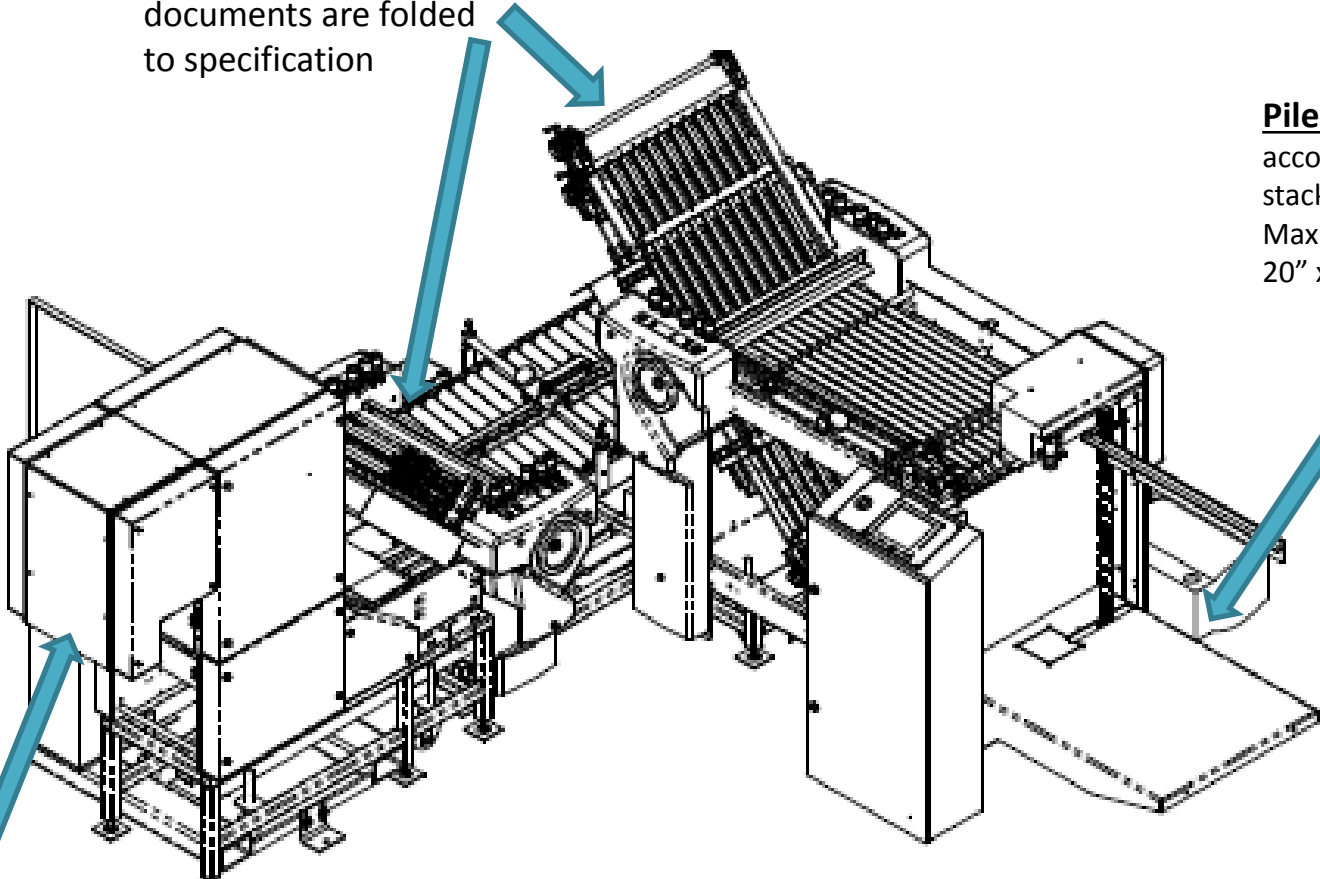
<https://www.youtube.com/watch?v=IVUQRWodJhM>

https://www.youtube.com/watch?v=Nkb_zme9-SE

Ecommerce Solutions - Bulk line - Pre-Printed documents

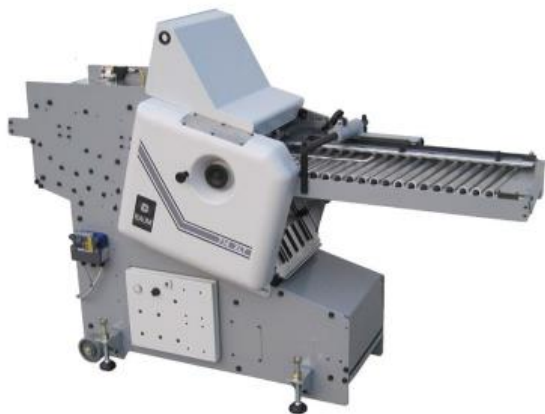
Fold station- Fed documents enter the fan pans where documents are folded to specification

Pile feed table- Can accommodate 25" of stacked documents. Max document size: 20" x 33"



Single point inserting station- Allows for Precisely inserted documents at a set point-

Pre-Printed inline or off line Baumfolder provides document automation solutions for every level of need whether it be budget or production rate.



The Baumfolder 714-Inserter:

Can handle sheets up to..... 14"x 25"
minimum.....4"x 6"

Can fold and insert single preprinted sheets at a rate of 30 per minute.

Perfect for:

Brochures

Coupons

Invoices

Return forms

and other important documents



The Baumfolder 714-inserter can also be equipped with a small print engine to allow for a custom black and white single sheet document printing and inserting. Max rate 7 documents per minute

https://www.youtube.com/watch?v=rz1_CQRWNEA



High Volume Feeder

This solution provides:

- Longer run times between loadings.
- Continuous, non-stop operation
- Ability to load and feed heavier, bulky, products with continuous feeding.
- Combine multiple Baumfolder HVF and program to feed into a lug conveyor or flow wrapper.
- Program to feed onto a conveyor for an auto bagging or carton closing line

Product Thickness: 2 to 72 pages!

Continuous Feeding of Products

Baumfolder offers a unique solution to increase the feeding capability as compared to the traditional bottom fed feeders using the Baumfolder HVF. Sensors are located in the hopper that keep a select amount of product in the hopper until the entire load of product is fed from the horizontal transfer area. Easy, continuous loading of product is performed on a long belted transfer table that insures non-stop production. Additional loading capacity can be added by adding the optional Baumfolder extension tables for an additional six to ten feet of loading capacity.

The Baumfolder HVF can feed a wide variety of products that are thick to thin and in variable select shapes. Some examples are feeding flat cardboard boxes, cardboard shapes, catalogs for insertion for ecommerce order fulfillment, and more!

Fast and easy answers on what our systems can handle

- ✓ **Personalized Printed Documents**
- ✓ **Variable Printed Documents**
- ✓ **Pre-Printed Documents**
- ✓ **Both Color and black/white**
- ✓ **Ability to gather and insert up to 6 documents at a time**
- ✓ **Print, fold, and insert rates from 7- 25 documents per minute**
- ✓ **Custom Document fold layouts to fit your cartons**
- ✓ **Variable box size insertion .75" thru 36" (height)**
- ✓ **Document wrapping and applying**
- ✓ **Bar code verification**
- ✓ **Bar code matching**



BAUMFOLDER

SOLUTIONS

Building Precision Solutions
Learn more at baumfolder.com

Baumfolder Corporation
1660 Campbell Road, Sidney, Ohio 45365

937.492.1281 or 800.543.6107 (p)
937.492.7280 (f)

Baumfolder@baumfolder.com



HEIDELBERG

Owned by Heidelberger Druckmaschinen AG