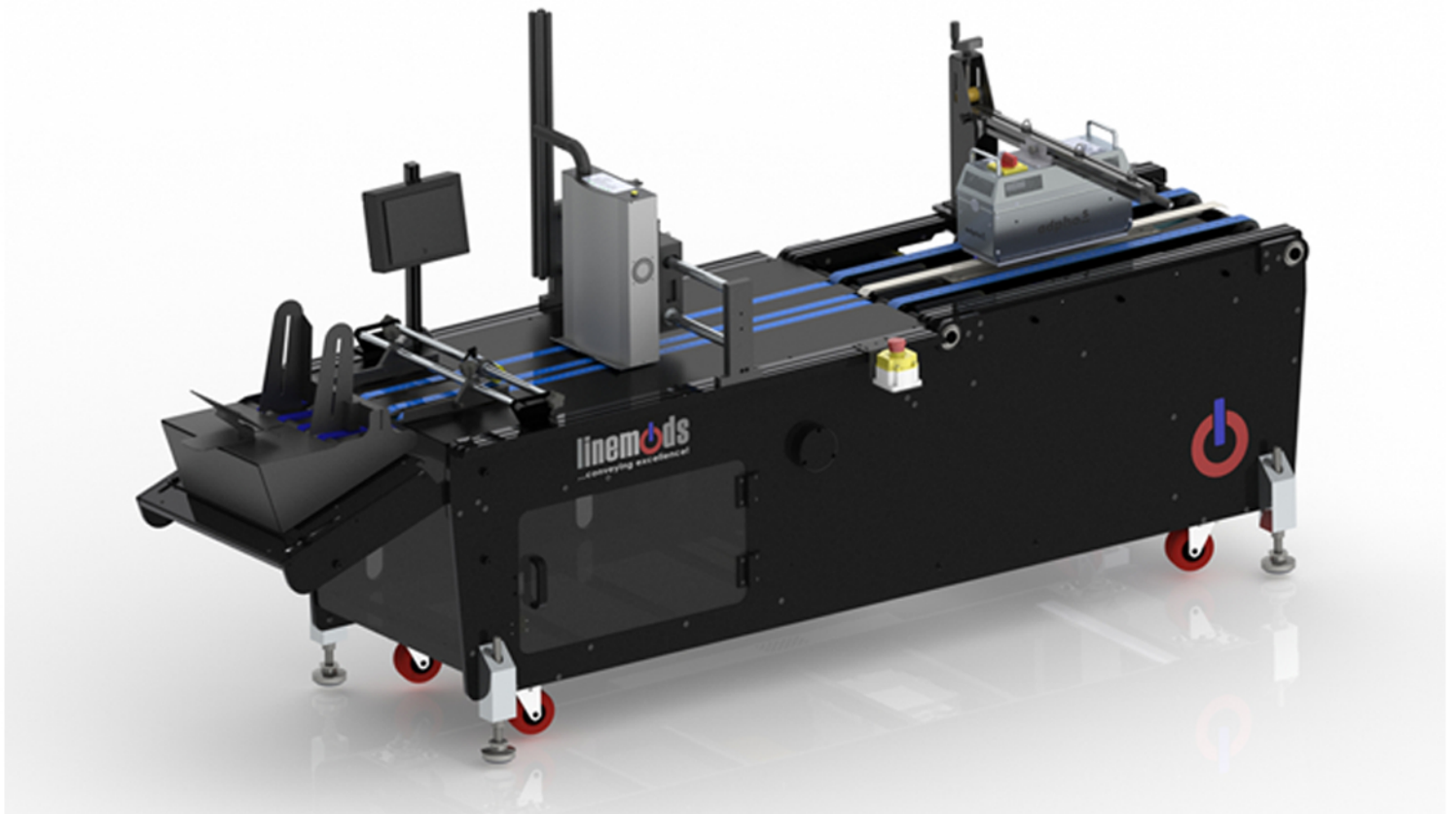


## Stealth 207 Premium Inkjet/Dryer Base

Linemods equipment is designed with a balance of easy operation, longevity and innovation from over 25 years of experience in the post press/production environment – All equipment equipped with a 2-year built-in warranty.



### Quality Without Compromise:

Linemods Premium Inkjet/Dryer Base - Quality without compromise, from the innovative vacuum system to the powder coated aluminum frames. Perform quick, easy setups – Linemods “Stealth” systems incorporate our patented “I Series” transport design.

PROVIDES “WIDE BELT” THROUGHPUT AND EDGE CONSISTENCY – WITHOUT THE WIDEBELT COSTS

### Attributes:

- > .5mm belt height (from deck)
- > Advanced auto-regulated vacuum system
- > Premium silicone dryer belts
- > 1/2” Powder coated aluminum frames
- > Adj. height +5” (12.7cm) from casters
- > Tool-less adjustments
- > Built-in encoder
- > Upstream/downstream, speed-following

# System Design & Details:

All Linemods "Stealth" units are performance engineered to deliver an optimum supply of vacuum without stalling conveyor or stressing pump - We use regenerative vane vacuum system with pressure sensors to precisely control the vacuum pressure - Linemods offers the most innovative, high performance vacuum conveyor systems available.

## Feature attributes:

- > Touch-screen HMI
- > 2 year warranty
- > Simple electrical/drive components
- > Minimal tools needed to perform most set-ups/changeovers
- > Vacuum belt construction is of a friction resistant backer, perforated for vacuum integration - Timing belts provide skew free operation on the inkjet section
- Component design - All pivot points have bearings, all

# Product Capacity:

## Width:

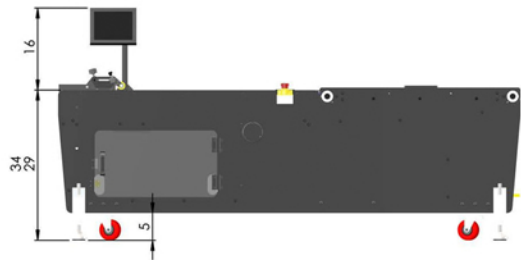
Up to 21" (53cm)

## Speed:

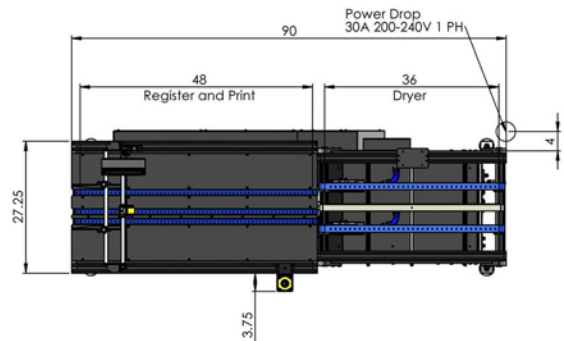
600 (183m) or optional 1000 (305m) LFPM

- > Product thickness range: .05mm - 13mm
- > Product width range: 2" - 21"
- > Gross weight: 750 lbs
- > Electrical: 200-230v 1 Ph / 30amps

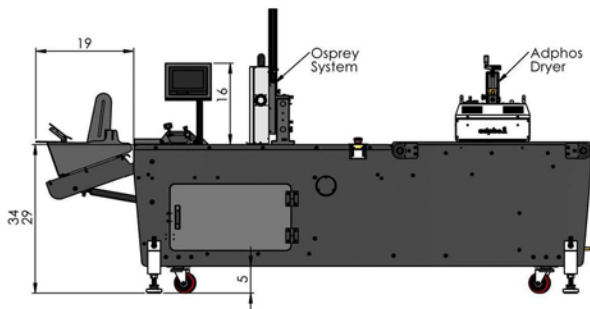
Stealth 207 LR (800-601)  
Weight: 625 Pounds  
Power: 30A @200-240V 1 PH  
18" Max Product Width



Stealth 207 LR (800-601)  
Weight: 625 Pounds  
Power: 30A @200-240V 1 PH  
18" Max Product Width



Stealth 207 LR (800-601)  
Weight: 625 Pounds  
Power: 30A @200-240V 1 PH  
18" Max Product Width



Stealth 207 LR (800-601)  
Weight: 625 Pounds  
Power: 30A @200-240V 1 PH  
18" Max Product Width

